

Gorgiel ... in warm atmosphere



ALTUS HH

INFORMATION CARD

PREMIUM LINE

KEY FEATURES

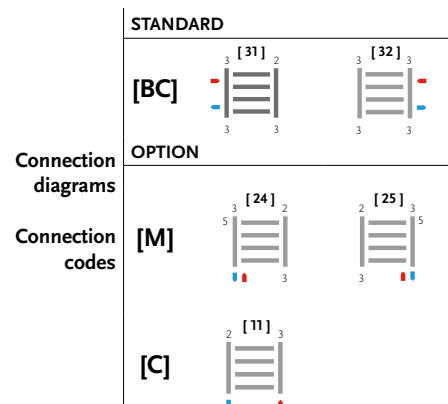
- Wide dimension range
- High heat output performance
- Unique design and realization
- Modern design
- Easy assembly
- No visible brackets
- Esthetic cover included
- Universal 50 mm middle connection - option
- Radiator compatible with EN 442
- Quality control at every production stage
- Guarantee of quality



Top cover included in set with radiator

Supplied as standard in white colour with connection 31/32 with top cover included. Valves shown in the photo are optional and charged separately. SEE RECOMMENDED

Type:	AHH - single horizontal radiator
Material:	Low carbon steel
Construction:	Pipe profile 70 x 11 Collector Ø 32
Work pressure:	Up to 0,4 MPa (4 bar)
Work temperature:	Up to 95°C
Standard equipment:	Premium plug 1/2" Premium air vent 1/2" Radiator bracket D 112
Standard finishing:	Standard white colour [01]
Connection:	Internal thread 1/2"

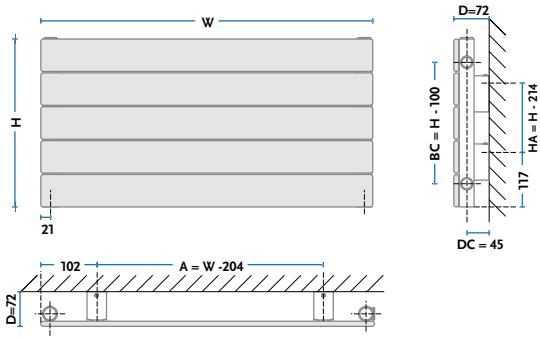


2 - air vent 1/2"
3 - plug 3/4"
5 - thermostatic valve M30 x 1,5 for thermostatic head

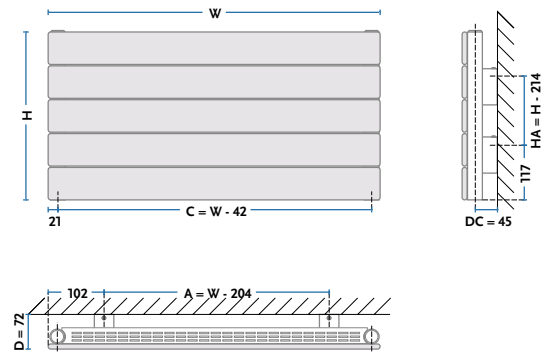
RECOMMENDED ACCESSORIES

	<p>50 mm SET valve For radiators with connection [24] [25] cut off valve with thermostatic head in set in radiator colour</p>	
	<p>SMARTY 1 For radiators with connection [31] [32] complete set of supply and return valves with thermostatic head in radiator colours.</p>	

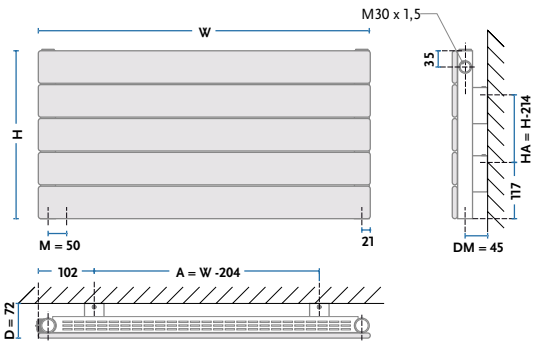
[31] / [32] - connection 180°



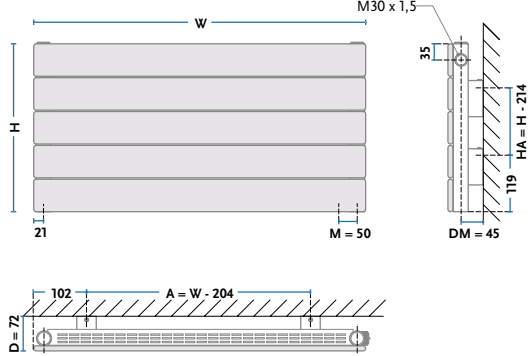
[11]



[24]



[25]



H - height; W - width; D - depth; A - brackets spacing - width; M - connection spacing; C - connection spacing
 HA - brackets spacing - height; DC - distance wall connection axis; DM - distance wall connection axis

		Width [W]				Width [W]				Width [W]			
		400 (40)	600 (60)	800 (80)	1000 (100)	1200 (120)	1400 (140)	1600 (160)	1800 (180)	2000 (200)	2200 (220)	2400 (240)	
Height [H] 289 (30)	Pipe qty. 4	Type	AHH 30/40	AHH 30/60	AHH 30/80	AHH 30/100	AHH 30/120	AHH 30/140	AHH 30/160	AHH 30/180	AHH 30/200	AHH 30/220	AHH 30/240
		75/65/20°C	145	203	259	312	364	415	464	512	560	607	653
		55/45/20°C	76	107	138	168	197	226	254	281	309	336	362
		INDEX	10142028163101	10142028203101	10142028243101	10142028283101	10142028323101	10142028363101	10142028403101	10142028443101	10142028483101	10142028523101	10142028563101
Height [H] 362 (40)	Pipe qty. 5	Type	AHH 40/40	AHH 40/60	AHH 40/80	AHH 40/100	AHH 40/120	AHH 40/140	AHH 40/160	AHH 40/180	AHH 40/200	AHH 40/220	AHH 40/240
		75/65/20°C	174	245	312	377	439	500	560	618	675	732	787
		55/45/20°C	91	130	167	203	238	273	306	339	372	405	436
		INDEX	10142028603101	10142028643101	10142028683101	10142028723101	10142028763101	10142028803101	10142028843101	10142028883101	10142028923101	10142028963101	10142029003101
Height [H] 435 (45)	Pipe qty. 6	Type	AHH 45/40	AHH 45/60	AHH 45/80	AHH 45/100	AHH 45/120	AHH 45/140	AHH 45/160	AHH 45/180	AHH 45/200	AHH 45/220	AHH 45/240
		75/65/20°C	204	286	365	440	513	584	653	721	788	854	919
		55/45/20°C	106	151	195	237	278	318	357	396	434	472	509
		INDEX	10142029043101	10142029083101	10142029123101	10142029163101	10142029203101	10142029243101	10142029283101	10142029323101	10142029363101	10142029403101	10142029443101
Height [H] 508 (50)	Pipe qty. 7	Type	AHH 50/40	AHH 50/60	AHH 50/80	AHH 50/100	AHH 50/120	AHH 50/140	AHH 50/160	AHH 50/180	AHH 50/200	AHH 50/220	AHH 50/240
		75/65/20°C	232	327	416	502	585	666	745	823	899	974	1048
		55/45/20°C	121	173	222	270	317	363	407	451	494	537	580
		INDEX	10142029483101	10142029523101	10142029563101	10142029603101	10142029643101	10142029683101	10142029723101	10142029763101	10142029803101	10142029843101	10142029883101
Height [H] 581 (60)	Pipe qty. 8	Type	AHH 60/40	AHH 60/60	AHH 60/80	AHH 60/100	AHH 60/120	AHH 60/140	AHH 60/160	AHH 60/180	AHH 60/200	AHH 60/220	AHH 60/240
		75/65/20°C	261	367	467	563	657	748	837	924	1009	1094	1177
		55/45/20°C	136	194	249	303	356	407	457	506	554	603	651
		INDEX	10142029923101	10142029963101	10142030003101	10142030043101	10142030083101	10142030123101	10142030163101	10142030203101	10142030243101	10142030283101	10142030323101
Height [H] 654 (65)	Pipe qty. 9	Type	AHH 65/40	AHH 65/60	AHH 65/80	AHH 65/100	AHH 65/120	AHH 65/140	AHH 65/160	AHH 65/180	AHH 65/200	AHH 65/220	AHH 65/240
		75/65/20°C	289	406	518	625	728	829	927	1024	1119	1212	1304
		55/45/20°C	151	215	276	336	394	450	505	560	614	667	720
		INDEX	10142030363101	10142030403101	10142030443101	10142030483101	10142030523101	10142030563101	10142030603101	10142030643101	10142030683101	10142030723101	10142030763101
Height [H] 727 (70)	Pipe qty. 10	Type	AHH 70/40	AHH 70/60	AHH 70/80	AHH 70/100	AHH 70/120	AHH 70/140	AHH 70/160	AHH 70/180	AHH 70/200	AHH 70/220	AHH 70/240
		75/65/20°C	317	446	568	686	799	910	1018	1124	1228	1331	1432
		55/45/20°C	165	236	302	368	431	494	554	614	673	732	789
		INDEX	10142030803101	10142030843101	10142030883101	10142030923101	10142030963101	10142031003101	10142031043101	10142031083101	10142031123101	10142031163101	10142031203101
Height [H] 800 (80)	Pipe qty. 11	Type	AHH 80/40	AHH 80/60	AHH 80/80	AHH 80/100	AHH 80/120	AHH 80/140	AHH 80/160	AHH 80/180	AHH 80/200	AHH 80/220	AHH 80/240
		75/65/20°C	345	486	619	746	870	991	1108	1224	1337	1449	1559
		55/45/20°C	180	256	329	400	469	537	602	668	732	795	858
		INDEX	10142031243101	10142031283101	10142031323101	10142031363101	10142031403101	10142031443101	10142031483101	10142031523101	10142031563101	10142031603101	10142031643101
Height [H] 873 (90)	Pipe qty. 12	Type	AHH 90/40	AHH 90/60	AHH 90/80	AHH 90/100	AHH 90/120	AHH 90/140	AHH 90/160	AHH 90/180	AHH 90/200	AHH 90/220	
		75/65/20°C	374	525	669	807	941	1071	1199	1324	1446	1567	
		55/45/20°C	194	277	355	432	507	580	651	721	790	859	
		INDEX	10142031683101	10142031723101	10142031763101	10142031803101	10142031843101	10142031883101	10142031923101	10142031963101	10142032003101	10142032043101	
Height [H] 945 (95)	Pipe qty. 13	Type	AHH 95/40	AHH 95/60	AHH 95/80	AHH 95/100	AHH 95/120	AHH 95/140	AHH 95/160	AHH 95/180	AHH 95/200		
		75/65/20°C	402	565	720	868	1012	1152	1289	1424	1556		
		55/45/20°C	209	297	382	464	544	622	699	775	849		
		INDEX	10142032123101	10142032163101	10142032203101	10142032243101	10142032283101	10142032323101	10142032363101	10142032403101	10142032443101		
Height [H] 1019 (100)	Pipe qty. 14	Type	AHH 100/40	AHH 100/60	AHH 100/80	AHH 100/100	AHH 100/120	AHH 100/140	AHH 100/160	AHH 100/180			
		75/65/20°C	430	605	771	930	1084	1234	1380	1524			
		55/45/20°C	223	318	408	497	583	666	747	828			
		INDEX	10142032563101	10142032603101	10142032643101	10142032683101	10142032723101	10142032763101	10142032803101	10142032843101			
Height [H] 1092 (110)	Pipe qty. 15	Type	AHH 110/40	AHH 110/60	AHH 110/80	AHH 110/100							
		75/65/20°C	459	645	822	991							
		55/45/20°C	238	339	435	528							
		INDEX	10142033003101	10142033043101	10142033083101	10142033123101							



GORGIEL GROUP GORGIEL PLUS Sp. zo.o. Sp.k.
(dawniej GORGIEL GROUP Sp. z o.o.)

Karpicko, 64-200 Wolsztyn
ul. Poznańska 10

tel. +48 68 347 54 00
fax + 48 68 347 54 50
gorgiel@gorgiel.com.pl



gorgiel.pl