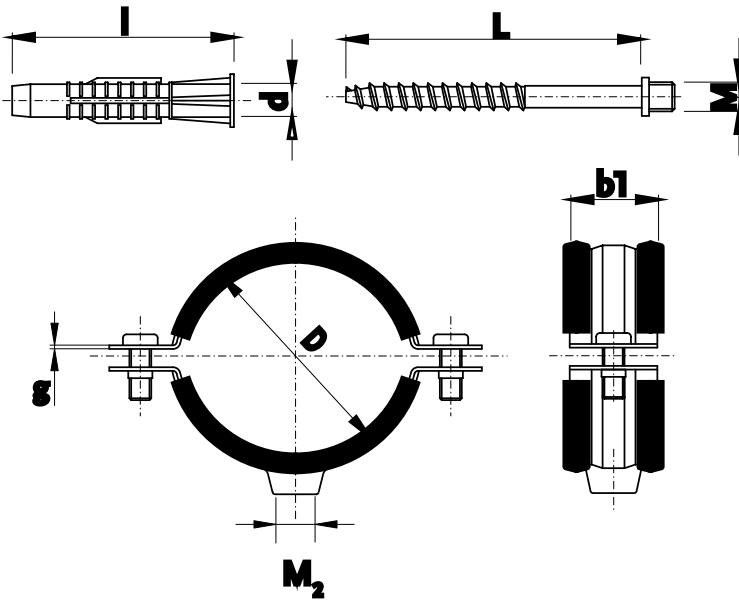


STEEL CLAMP | USZ_U

Single steel clamp with rubber - embossing

Material:	Steel DC03
Anti-corrosion protection:	Galvanized steel
Recommended use:	For fixing instalations inside buildings



normal EMBOSSING	Clamp								MAX. breaking load [kN]	Packing pcs	Indeks	
	Type	pipe diameter - D [mm]	[cale]	M ₂	b1 x g	M	L	d				l
	USZ_U 10	12-17	3/8"	M8	20 x 1,5	M8	65	10	60	2,4	50	1031125110
	USZ_U 15	18-22	1/2"	M8	20 x 1,5	M8	65	10	60	2,4	50	1031125120
	USZ_U 20	26-31	3/4"	M8	20 x 1,5	M8	65	10	60	2,4	50	1031125130
	USZ_U 25	32-40	1"	M8	20 x 1,5	M8	65	10	60	2,4	50	1031125140
	USZ_U 32	41-48	1 1/4"	M8	20 x 1,5	M8	80	10	60	2,4	50	1031125150
	USZ_U 40	48-56	1 1/2"	M8	25 x 1,5	M8	80	10	60	2,4	50	1031125160