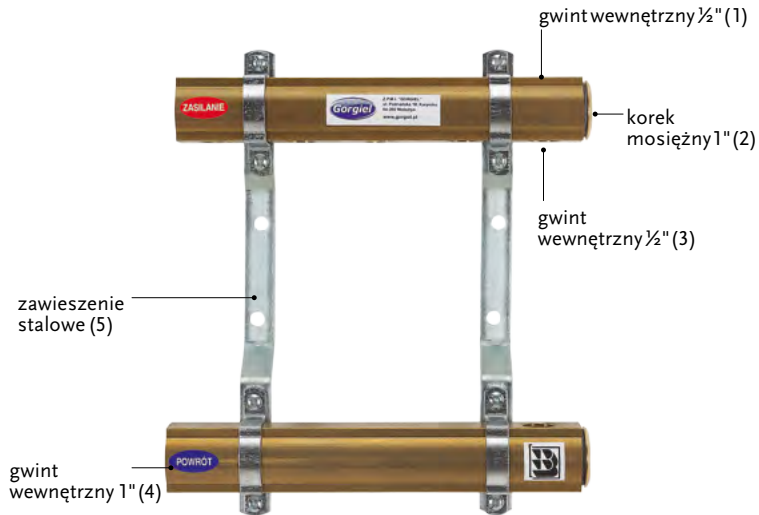
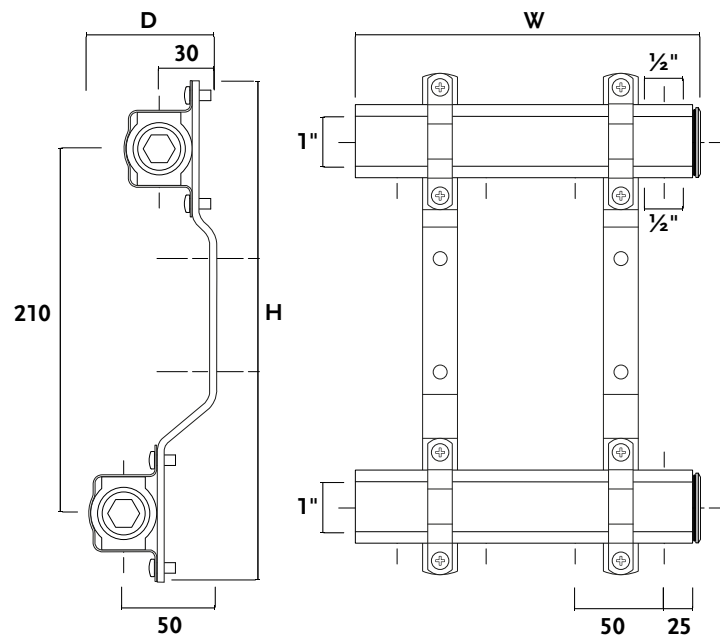


## R | Brass manifold

Material:	Brass
Construction:	Profile C
Operating temperature:	Up to 90°C
Working pressure:	Up to 0,6 MPa
Warranty:	10 years for beam tightness 2 years equipment and O-ring seals
Recommended use:	Radiator heating in central heating installations



1. Internal thread 1/2"
2. 1" Brass plug with O-ring
3. Internal thread 1/2"
4. Internal thread 1"  
- for connecting the central heating installation
5. Steel brackets



Type	Section no.	Width [W] mm	Height [H] mm	Depth [D] mm	Indeks
R 2	2	105	290	75	1041121120
R 3	3	155	290	75	1041121130
R 4	4	205	290	75	1041121140
R 5	5	255	290	75	1041121150
R 6	6	305	290	75	1041121160
R 7	7	355	290	75	1041121170
R 8	8	405	290	75	1041121180
R 9	9	455	290	75	1041121190
R 10	10	505	290	75	1041121200
R 11	11	555	290	75	1041121210
R 12	12	605	290	75	1041121220
R 13	13	655	290	75	1041121230
R 14	14	705	290	75	1041121240