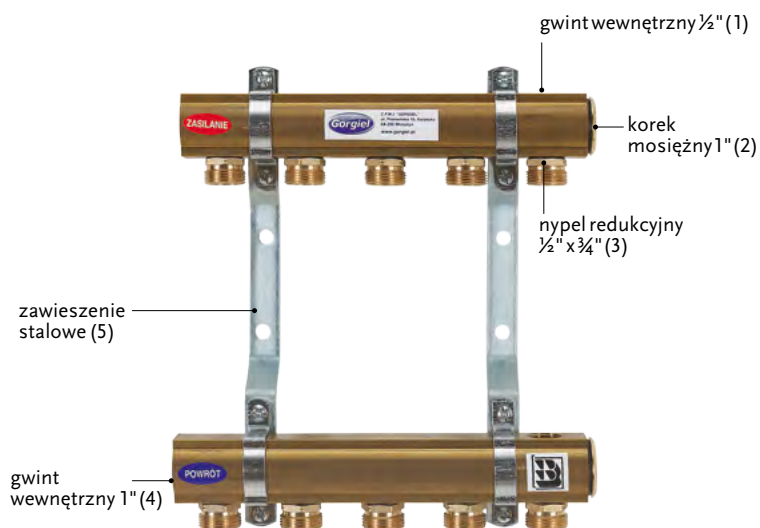
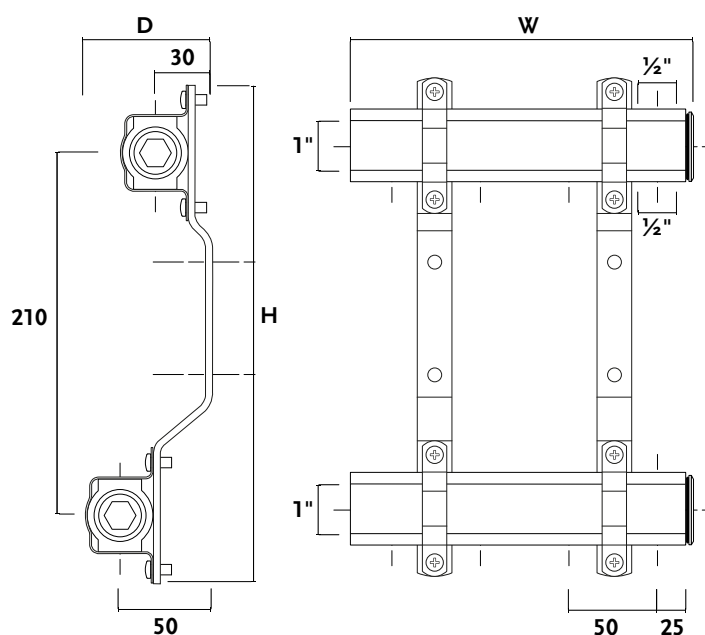


R N | Brass manifold with 1/2" x 3/4" brass connectors

Material:	Brass
Construction:	Profile C
Operating temperature:	Up to 90°C
Working pressure:	Up to 0,6 MPa
Warranty:	10 years for beam tightness 2 years equipment and O-ring seals
Recommended use:	Radiator heating in central heating installations



1. Internal thread 1/2"
2. 1" Brass plug with O-ring
3. Brass connectors 1/2" x 3/4"
4. Internal thread 1"
- for connecting the central heating installation
5. Steel brackets



Type	Section no.	Width [W] mm	Height [H] mm	Depth [D] mm	Indeks
R N 2	2	105	290	75	1041122120
R N 3	3	155	290	75	1041122130
R N 4	4	205	290	75	1041122140
R N 5	5	255	290	75	1041122150
R N 6	6	305	290	75	1041122160
R N 7	7	355	290	75	1041122170
R N 8	8	405	290	75	1041122180
R N 9	9	455	290	75	1041122190
R N 10	10	505	290	75	1041122200
R N 11	11	555	290	75	1041122210
R N 12	12	605	290	75	1041122220
R N 13	13	655	290	75	1041122230
R N 14	14	705	290	75	1041122240